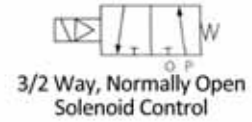
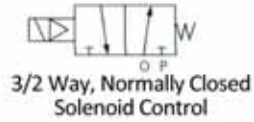
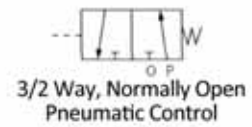
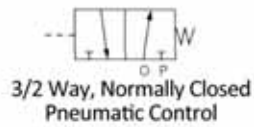


# K 23 J Series Directional Control Valve 3 Way 2 Position



K23J

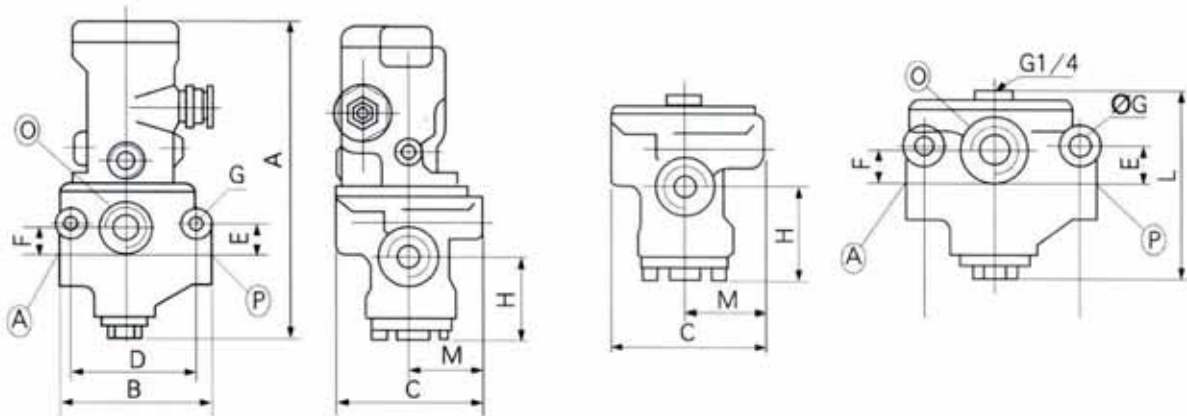


	K	23	J	D	-	15	T	AC220V
<b>Model</b>								
<b>Position</b>								
23 : 3 way - 2 position								
<b>Control</b>								
D : Solenoid control K : Pneumatic control								
<b>Diameter</b>								
8 : 1/4"      25: 1" 10 : 3/8"     32 : 1 1/4" 15: 1/2"      35: 1 1/2" 20 : 3/4"								
<b>Type</b>								
Blank : Normally closed T : Normally open								
<b>Standard Voltage</b>								
AC 110V AC 220V DC 24V								

Specification							
Model	K23J-8	K23J-10	K23J-15	K23J-20	K23J-25	K23J-32	K23J-40
Flow Rate (m <sup>3</sup> /h)	5	7	10	20	30	40	50
Effective Sectional Area (mm <sup>2</sup> )	20	35	60	120	190	300	400
Leakage rate (cm <sup>3</sup> /min)	≤ 50	≤ 100		≤ 200		≤ 300	
Direction Diverting Time (sec)	≤ 0.04	≤ 0.06		≤ 0.10		≤ 0.15	
Switch-Over Frequency (Hz)	≥ 10	≥ 8		≥ 4		≥ 3	
Working Pressure (Mpa)	0.2 ~ 0.8						
Voltage (V)	AC: 110, 220 ; DC: 24						
Ambient Temperature (°C)	-5 ~ 50						

### Overall Dimension

#### K23J



Type	Port Size		A	B	C	D	E	F	G	H	M	L	O
	G	M											
K23J-8W, K23J-8TW	G 1/4	M 12 x 1.25	180	96	78	73	17	16.5	Ø 9	45	39	85	G 1/2
K23J-10W, K23J-10TW	G 3/8	M 16 x 1.5											
K23J-15W, K23J-15TW	G 1/2	M 20 x 1.5											
K23J-20W, K23J-20TW	G 3/4	M 27 x 2	195	113	89	82	24	21	Ø 9	52	38	105	G 1
K23J-25W, K23J-25TW	G 1	M 33 x 2											
K23J-32W, K23J-32TW	G 1 1/4	M 42 x 2	268	165	121	118	37	46	Ø 13	75	46	170	G 1 1/2
K23J-40W, K23J-40TW	G 1 1/2	M 46 x 2											